



44th Annual Deutschen Pfest May 17, 18 & 19<sup>th</sup>, 2019

January 30, 2019

Deutschen Pfest Vendors:

\*\*\* There will be some changes this year, both in the booth layout as well as numbers of some of the vendors allowed into the Pfest this year\*\*\*

PLEASE be aware there will be 220V electricity available for a limited number of vendors. The cost for 220V will be \$50.00 per booth and will be on a first come basis.

There will be a \$25.00 higher fee if an application and payment is received after April 15th..

Just as in past years, applications will be collected for a 45 day period, then the assignments will be "jury selected" by the Booth Co-Chairpersons of the Pfest Committee.

Vendor selections will be made the same as in the past in the following order:

Local nonprofit groups

Local for profit (commercial)

Non local non profit

Non local for profit (commercial)

Soliciting only booths will be considered on a case by case basis.

There will be no exclusive product offerings.

**No tobacco products or weapons may be sold or distributed at the Pfest.**

Those vendors that are selected will receive a notice that the application has been accepted following this process.

Confirmations will not go out until after March 17<sup>th</sup> as that is the 45<sup>th</sup> day, please allow time for the committee to make their decisions.

Each paid booth space is given four (4) non-transferable wrist bands to distribute to workers in your booth. *Additional "all weekend" bands can be purchased for your key booth work staff at \$8.00 per band. The additional bands are limited to 10 bands per booth space. These bands MUST be purchased prior to Monday, May 13<sup>th</sup>. There will be no extra all weekend bands sold at the Pfest. These bands are for booth workers only.* All others will need to pay the daily admission fee. The purchase and wearing of a Pfest tee-shirt provides unlimited entries, all three days of the event.

If you have any questions regarding this year's Pfest, please email Starlet at:

[dpfestbooths@pflugervilletx.gov](mailto:dpfestbooths@pflugervilletx.gov).

Thank you,

Starlet Sattler

Deutschen Pfest Booth Chairperson

## Deutschen Pfest 2019 Booth Regulations

- Deutschen Pfest is a three (3) day event. Vendors may not break down booths until 5:00pm on Sunday May 19th. Any vendor breaking down their booth before 5:00pm on Sunday will not be invited back to the Pfest.
- All applications and fees will be accepted by email, fax or at the Pflugerville Parks and Recreation Office only. Please make checks payable to City of Pflugerville.
- **No applications will be accepted without signature, witness signature Indemnification form and full payment.**
- Booth fees are for SPACE ONLY. Fees do not include tables, chairs, tent etc. **If your booth or trailer (including the tongue) exceeds the 12'x12' area you will be required to purchase an additional booth space if available. If additional booth space is not available you will need to reconfigure your booth to the 12'x12' space. Please no surprises at the Pfest, we will NOT reconfigure our booths at the last minute.** If you are unaware of the size of your trailer, including any hitch please measure prior to sending in your application.
- Power provided by the City of Pflugerville is designed for fans and nighttime lights. **Electricity is limited and on a first come basis. Electricity is not available in all areas of the park. No electric cords or extension cords can be across any walkway in the park, this includes both on the ground and in the air.** We reserve the right to limit electrical appliances being used in booths.
- All vendors using and paying for electricity need to furnish their own extension cord(s). **Please be sure your extension cord can extend to 150 feet long.**
- All booths will be monitored throughout the Pfestival by the Booth Committee to ensure that vendors are not selling items not disclosed on their applications.
- All vendors, both food and non-food are allowed to sell bottled water. (can not give it away)
- Any novelty items deemed inappropriate for juvenile sales will not be permitted at the Pfest. Any offensive or inappropriate pre-printed items on tee shirts, koozies, hats etc. will not be permitted. No tobacco products may be sold or distributed. Any item deemed a safety issue will not be permitted to be sold. **No items with the words "Deutschen Pfest" or similar on them may be sold without prior written consent.**
- No glass containers are allowed in the park at any time.
- Booths are labeled FOOD or NON-FOOD. No combination booths are allowed. If you wish to sell both types of items you must apply and pay for both types of booth. If you are giving out edible/drinkable samples, you will need gloves in your booth for you to wear.
- All vendors are responsible for getting their items to and from their booth. You may bring a cart or wagon to use. **Committee members and golf carts are not available to help transport vendors or their equipment from parking areas to their booth.**
- All raffles must be stated on the application and pre-approved by Booth Committee.
- All requests for booth placement will be reviewed on a case by case basis. No specific space will be guaranteed.
- **No roaming sales are allowed.** All booth workers must stay within the 12'x12' (or larger if multiple booths purchased) allotted booth area. **The area in front of all booths is a walkway and sales will not be permitted from this area.** Booth workers cannot leave the booth to advertise/scream/hawk at

patrons or lure customers into their booth. Any booth caught with roaming sales may be closed immediately by the Booth Committee.

- **All vendors must break down all boxes and take to the dumpster located in the parking lot at the main gate. No boxes are to be placed in park trash cans.**
- **No booth fees will be refunded, rain or shine.**

**FOOD BOOTH APPLICATION  
PFLUGERVILLE DEUTSCHEN PFEST<sup>SM</sup> 2019**

Friday May 17<sup>th</sup> 5pm-midnight, Saturday May 18<sup>th</sup> 10am-midnight, Sunday May 19<sup>th</sup> 11am-5pm

BUSINESS NAME: \_\_\_\_\_

ADDRESS: \_\_\_\_\_

CITY: \_\_\_\_\_ STATE: \_\_\_\_\_ ZIP: \_\_\_\_\_

CONTACT NAME: \_\_\_\_\_ CELL PHONE: \_\_\_\_\_

WORK PHONE: \_\_\_\_\_ HOME PHONE: \_\_\_\_\_

EMAIL: \_\_\_\_\_

\*WEB ADDRESS IF YOU WOULD LIKE A LINK PUBLISHED\* \_\_\_\_\_

Is this a Non-Profit Organization? YES/NO. If yes must include documentation to verify

**Please list the FOOD ITEMS BEING SOLD (Please be VERY specific) We may not approve all items you list.**  
Food Vendors must list what they wish to sell in their booth. All Food Vendors are permitted to sell any non alcoholic beverage. Booth spaces are 12'X12'. If additional space is needed, you will be required to purchase additional space.

**List all items to be sold**

1.	2.
3.	4.
5.	6.

**Please initial each line.**

\_\_\_\_\_ Agreement read & signed. (We will not process your application if you have not signed the agreement)

\_\_\_\_\_ Applications will not be accepted without FULL PAYMENT.

\_\_\_\_\_ Deutschen Pfest is a three-(3) day event. Your Booth must remain intact in your space until 5:00pm Sunday, May 19th.

\_\_\_\_\_ Food vendors items must be approved by the booth committee.

\_\_\_\_\_ Food booths cannot sell alcoholic beverages

\_\_\_\_\_ Have read the regulations/rules.

\_\_\_\_\_ I am aware I must obtain a City of Pflugerville food permit by May 10<sup>th</sup>, 2019. No permits will be available at the Pfest.

**You must have received your confirmation letter before applying for your permit.**

Please be sure email address is legible, we will be corresponding by email this year. Be sure to complete the enclosed indemnity and release agreement also. We are unable to accept any booth applications received without the agreement. The agreement must be signed and witnessed to be accepted.

**VERY IMPORTANT...READ AND INITIAL.**

Power provided by the City of Pflugerville is designed for fans and nighttime lights. Electricity is limited and on a first come basis. Electricity is not available in all areas of the park. No electric cords or extension cords can be across any walkway in the park, this includes both on the ground and in the air. We reserve the right to limit electrical appliances to being used in booths. No Generators Allowed  
I have read the above paragraph regarding electric use and agree to abide. \_\_\_\_\_

**FEES**

Please check appropriate fee. Electricity is optional. **Electric Fee is per booth space/per outlet.** If purchasing two or more booths you must pay for electricity for each booth. **220V power is available in a limited number of booth locations. The charge for 220V is \$50.00 per booth instead of \$25.00.**

Fees per booth: **Early bird booth fee valid if received by April 15th only.**

EARLY BIRD (before April 15th)	\$150.00 _____
REGULAR	\$175.00 _____
NON-PROFIT	\$ 75.00 _____
ELECTRICITY	\$ 25.00 _____
220 (limited first come first serve	\$ 50.00 _____

TOTAL PAYMENT \$ \_\_\_\_\_ Pmt in full is due when  
Enclosed application is turned in.

This year we are accepting applications by email, fax, mail or in person. Send to [dpfestbooths@pflugervilletx.gov](mailto:dpfestbooths@pflugervilletx.gov).

We accept Visa, Mastercard and American Express as well as checks and cash.

To pay by credit card please fill out the following and sign:

Account # \_\_\_\_\_  
Exp. Date \_\_\_\_\_ Security Code on Back \_\_\_\_\_  
Name on Card \_\_\_\_\_

Signature: \_\_\_\_\_

If you wish to fax in your application please fax to: 512-990-0932.

If you wish to mail in your application please mail to:

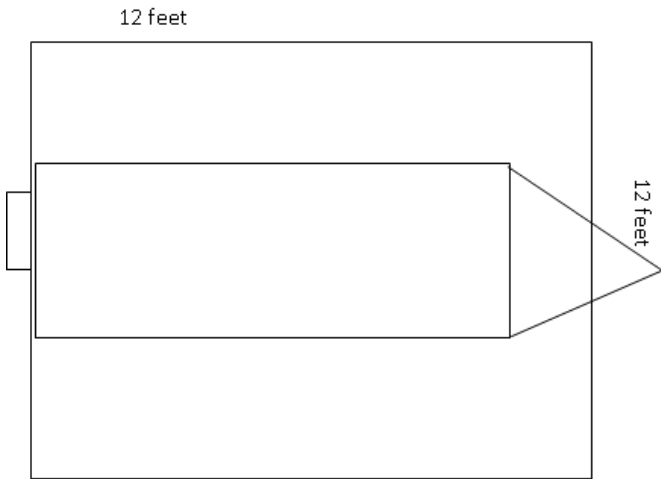
City of Pflugerville  
Parks and Recreation Dept.  
Deutschen Pfest Booth Applications  
PO Box 589  
Pflugerville, TX 78691

For city use only:  
Date received \_\_\_\_\_

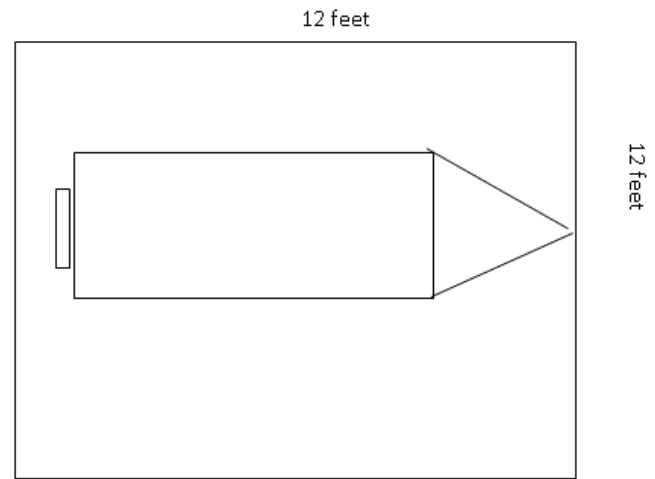
Payment amount/method \_\_\_\_\_

Each space is 12'X 12'

If you have a trailer as your booth the whole trailer should fit inside the space.



This needs 2 spaces, the steps and door and the trailer hitch are outside of the space.



This trailer is correct, all of its parts fit inside the 12 ft space.

RELEASE AND INDEMNIFICATION AGREEMENT FOR

**PFLUGERVILLE DEUTSCHEN PFEST<sup>sm</sup> 2019**

Participant: (Name and Address)

---

---

---

DESCRIPTION OF ACTIVITY OR BOOTH: \_\_\_\_\_

---

I, the above named PARTICIPANT, am eighteen years of age or older and have voluntarily applied to participate in the above Activity or Booth. I acknowledge that the nature of the Activity or Booth may expose me to hazards or risks that may result in my illness, personal injury or death and I understand and appreciate the nature of such hazards and risks. In consideration of my participation in the Activity or Booth, I hereby accept all risk to my health and of my injury or death that may result from such participation and I hereby release the above named City of Pflugerville, its governing board, officers, employees and representatives from any liability to me, my personal representatives, estate, heirs, next of kin, and assigns for any and all claims and causes of action for loss of or damage to my property and for any and all illness or injury to my person, including my death, that may result from or occur during my participation in the Activity or Booth, whether caused by negligence of the City of Pflugerville, its governing board, officers, employees, or representatives, or otherwise. I further agree to indemnify and hold harmless the City of Pflugerville and its governing board, officers, employees, and representatives from liability for the injury or death of any person(s) and damage to property that may result from my negligent or intentional act or omission while participating in the described Activity or Booth.

I HAVE CAREFULLY READ THIS AGREEMENT AND UNDERSTAND IT TO BE A RELEASE OF ALL CLAIMS AND CAUSES OF ACTION FOR MY INJURY OR DEATH OR DAMAGE TO MY PROPERTY THAT OCCURS WHILE PARTICIPATING IN THE DESCRIBED ACTIVITY OR BOOTH AND IT OBLIGATES ME TO INDEMNIFY THE PARTIES NAMED FOR ANY LIABILITY FOR INJURY OR DEATH OF ANY PERSON AND DAMAGE TO PROPERTY CAUSED BY MY NEGLIGENT OR INTENTIONAL ACT OR OMISSION.

\_\_\_\_\_  
Signature of Participant

\_\_\_\_\_  
Date

\_\_\_\_\_  
Witness

\_\_\_\_\_  
Date